

发动机脱附测试系统

Engine Desorption Testing System

 **国家实用新型专利**
National Utility Model Patent

1. 产品名称：发动机脱附测试系统（欧Ⅲ）
Product Name: Engine Desorption Testing System (EURO III)



发动机脱附测试系统（欧Ⅲ）
Engine Desorption Testing System (EURO II)

2. 用途：为保证达到国家环保有关标准(GB18352.3-2005)及生产一致性要求，对整车燃油供给系统进行脱附性试验
Application: To ensure meeting the state environmental protection standard (GB18352.2-2005) and production consistency requirements, conduct desorption testing of the entire fuel supply system.

3. 主要功能和特点:

Functions and Specifications:

- 压力/温度自动补偿功能

Pressure/temperature auto compensation functions

- 碳罐脱附真空压力自动调整，可以完全模拟工况状态

Automatic adjustment of vacuum pressure at charcoal canister desorption outlet, complete simulation of work condition

- 操作系统配备触摸屏，人机界面友好，测试数据自动存储，历史记录便于查询

The operating system equipped with a touch screen, friendly HMI, testing data saved automatically, historical records convenient for reference

- 线下采样：通过记录发动机在不同转速条件下对应的压力/流量曲线，做出在线检测的判定标准。该功能是设备初次使用和定期检查时使用

Off-line sampling: work out a judgment standard for online detection by means of recording corresponding pressure/flow curves of the engine under different rotation speeds. This function is used for initial use and regular inspection of the equipment

- 线下抽检：定期抽样检查，设定参数是否与当前车体状况匹配

Off-line sampling inspection: To check if the set parameters match the current status of the vehicle

- 在线检测：设备能够模拟发动机产生负压，检测脱附系统的流量特性

Online inspection: the equipment is able to generate negative pressure by simulating the engine and detect the flow characteristics of the desorption system

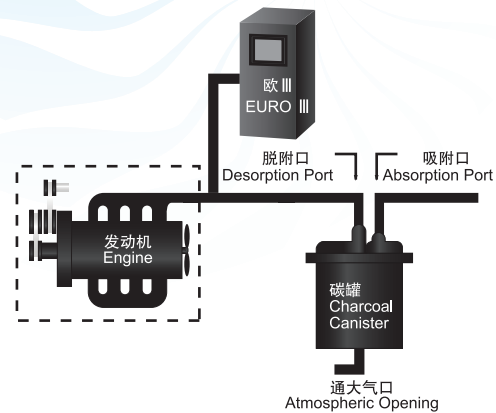
4. 主要技术参数

Technical Data

- 流量传感器：量程10L/min，精度±1%F.S.
Flow sensor: range of 10L/min; accuracy: ±1% F.S.
- 差压传感器：量程±1000Pa，精度±2.0%F.S.
Differential pressure sensor: range: ±1000Pa; accuracy: ±2% F.S.
- 直压传感器：量程0~-20kPa，精度±0.5%F.S.
Gauge pressure sensor: range: 0~-20kPa, accuracy: ±0.5% F.S.
- 温度传感器：量程0~50℃，精度±0.5℃
Temperature sensor: range: 0~50℃; accuracy: ±0.5℃
- 测试节拍：1.0min/件
Testing Rate: 1.0min/pcs



发动机脱附测试系统在汽车检测线上
Engine Desorption Testing System on Production Line



5. 型号选择

Model selection

BFM-003-①

- ① 吊装方式

Lifting type

0	无吊装 No lifting
1	无动力单轨道吊装 No-power single-track lifting
2	无动力双轨道吊装 No-power double-track lifting



封堵头
Plugging Head